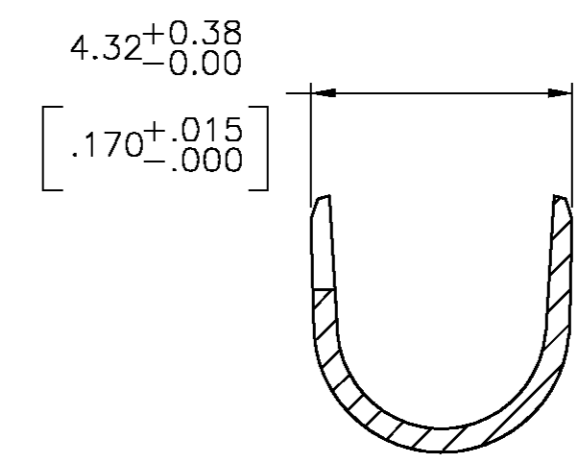
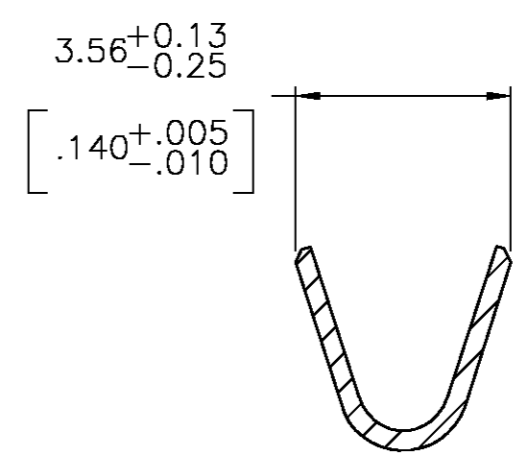
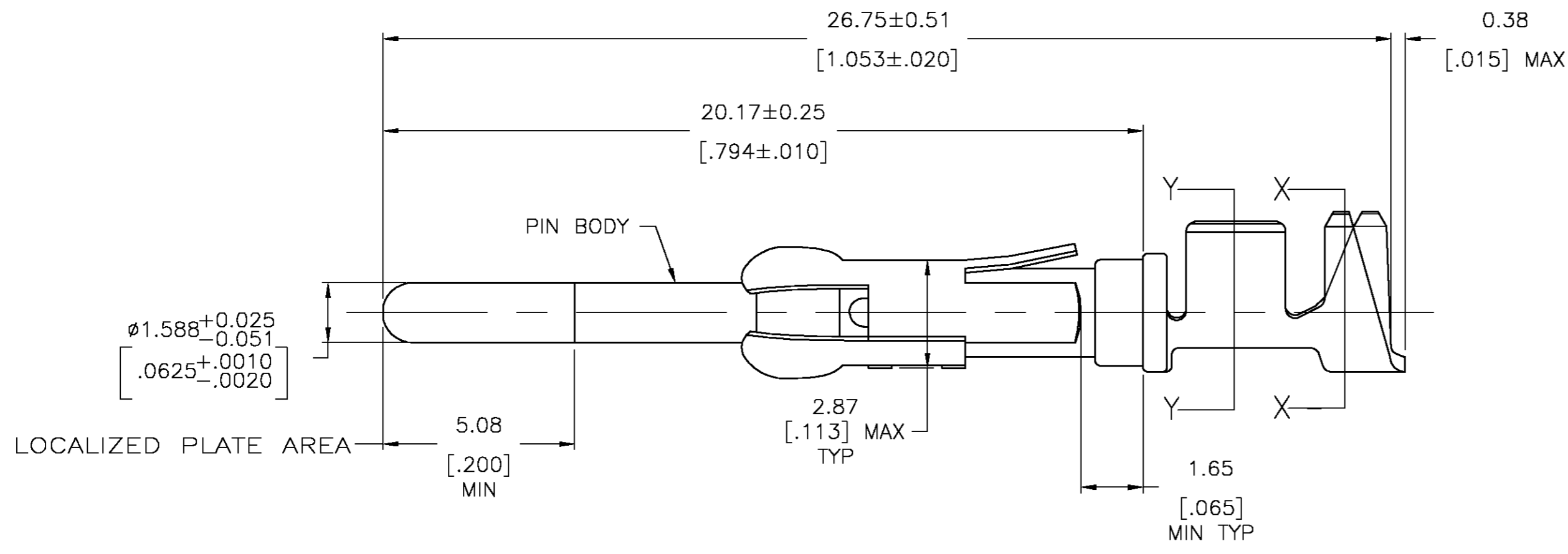
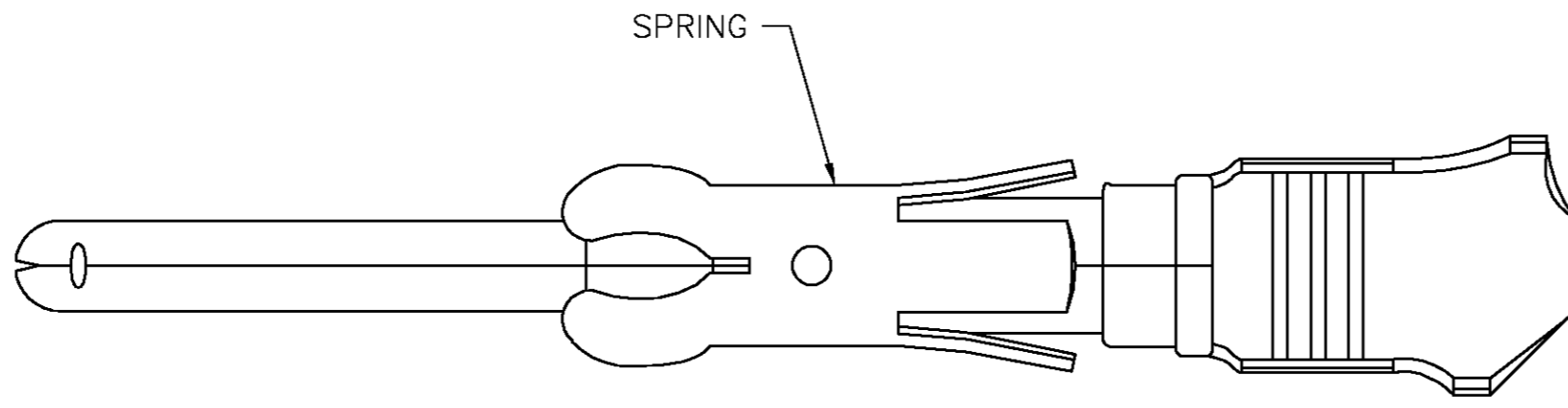


THIS DRAWING IS UNPUBLISHED. RELEASED FOR PUBLICATION
 © COPYRIGHT BY TYCO ELECTRONICS CORPORATION. ALL RIGHTS RESERVED.

LOC	DIST	REVISIONS					
FT	0	P	LTR	DESCRIPTION	DATE	DWN	APVD
		U		REVISED PER 0G3B-0956-04	11/22/04	SS	GS



- ① 1.27μm [.000050] MIN TIN-LEAD OVER
1.27μm [.000050] MIN NICKEL.
- ② 0.76μm [.000030] MIN GOLD IN LOCALIZED
PLATE AREA, GOLD FLASH ON μm [.000050]
THE REMAINDER ALL OVER 1.27
NICKEL.
- ③ BRASS PER MIL-C-50.
- ④ PHOSPHOR BRONZE PER QQ-B-750.
- 5. WIRE RANGE 14-18 AWG.
- 6. INSULATION RANGE 2.79[.110]-3.81[.150] DIA.
- ⑦ 0.38μm [.000015] MIN GOLD PER MIL-G-45204 IN LOCALIZED
PLATE AREA, 1.27μm [.000050] MIN TIN-LEAD PER MIL-T-10727
FOR A LENGTH OF 5.69 [.224] MIN ON OPPOSITE END, BOTH
OVER 1.27μm [.000050] MIN NICKEL PER QQ-N-290 ON ENTIRE CONTACT.
- ⑧ 1.27μm [.000050] MIN TIN OVER
1.27μm [.000050] MIN NICKEL.
- ⑨ CU-NI ALLOY

	SMALL PACK	③	⑧	66597-8	1-66602-1
	STANDARD	⑨	⑧	1-66597-1	1-66602-0
	STANDARD	⑨	②	1-66597-0	66602-9
	STANDARD	③	⑧	66597-8	66602-8
	SMALL PACK	③	②	66597-2	66602-7
	SMALL PACK	③	①	66597-1	66602-6
OBSOLETE	STANDARD	③	⑦	66597-7	66602-5
OBSOLETE	STANDARD	④	②	66597-5	66602-4
OBSOLETE	STANDARD	④	①	66597-4	66602-3
	STANDARD	③	②	66597-2	66602-2
	STANDARD	③	①	66597-1	66602-1
	MATERIAL	MATERIAL	FINISH	STRIP P/N REF	

THIS DRAWING IS A CONTROLLED DOCUMENT.

DIMENSIONS: mm [INCHES]	TOLERANCES UNLESS OTHERWISE SPECIFIED:	DWN H MOLL 10-2-90	Tyco Electronics Corporation Harrisburg, Pa 17105-3608
	0 PLC ± -	CHK J.MCCLINTON 12-15-90	
	1 PLC ± -	APVD A.BOULLIANNE 12-10-90	
	2 PLC ± 0.13[.005]	NAME PIN ASSEMBLY, LOOSE PIECE, TYPE III+	
	3 PLC ± -	APPLICATION SPEC	SIZE A2
	4 PLC ± -	WEIGHT -	CAGE CODE 00779
	ANGLES ± -	FINISH SPRING: SSTL PIN BODY: SEE TBL	DRAWING NO C=66602
MATERIAL	FINISH	WEIGHT	RESTRICTED TO
SPRING: SSTL	PIN BODY: SEE TBL	CUSTOMER DRAWING	SCALE 8:1 SHEET 1 OF 1 REV U